

**Canon**



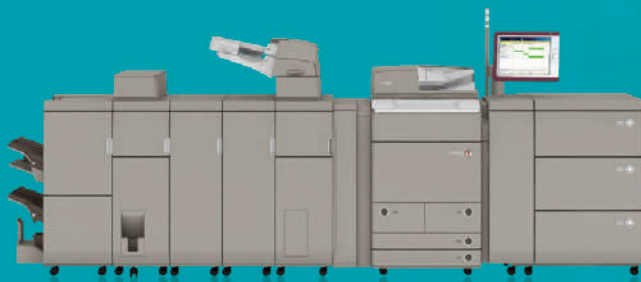
**imageRUNNER  
ADVANCE**

**C9075S PRO  
C9065S PRO**



**INTELLIGENT**





# GROWTH

## C9075 PRO C9065 PRO



Copy/Print/Send



Up to 13" x 19-1/4"



Up to 1200 x 1200 dpi

### Exceptional power

- > Up to 75/70 ppm (C9075S PRO) and 65/65 ppm (C9065S PRO) (BW/Color; Letter)
- > Océ PRISMA® sync operations management
- > 80GB HDD standard; up to 1TB HDD
- > 2.5GB RAM standard

### Extraordinary productivity

- > Single point of control
- > Scheduler allows job programming up to 8 hours in advance
- > Operator Attention Light\* displays status so production runs uninterrupted

### Flexible in-line finishing options

- > Multiposition stapling, 2- and 3-hole punching
- > Booklet-making, booklet trimming (face)
- > Professional punching
- > Z-fold, C-fold, Accordion Z-fold, Half-fold, Double-parallel Fold
- > Post-process document insertion

### Robust paper handling

- > Up to 9,300-sheet maximum paper capacity
- > 14 lb. Bond to 110 lb. Cover
- > Plain, heavy, recycled and coated stocks, plus tabs and envelopes



## imageRUNNER ADVANCE C9075S PRO/C9065S PRO

Workflows that make the most of every opportunity.  
The perfect-fit, all-in-one light production solution.

### An outstanding investment

Winning in today's marketplace requires the ability to grow your revenue and improve your profitability. Success demands stellar productivity and absolute versatility. At the same time, meeting customer demands and tight deadlines with today's lean staffs and less skilled workers requires equipment that's easy to use while consistently delivering work that delights customers. Introducing the imageRUNNER ADVANCE C9075S PRO/C9065S PRO systems. You never imagined your return on investment could be this good.

### An intuitive way of working

The operational side of meeting customers' expectations means working smarter, doing more with less, and controlling costs—all with fewer resources. The simple and intuitive operation of the imageRUNNER ADVANCE C9000S PRO Series systems give you the throughput and production power to add services, respond to changing customer requirements, take on new work, and turn it around faster while reducing costs with a streamlined workflow. It also features integration with Océ PRISMA workflow.

### Powerful performance

The imageRUNNER ADVANCE C9000S PRO Series systems are reliable, all-in-one production workhorses that combine Canon color technology, a powerful Océ PRISMAsync workflow to plan production, and on-the-fly refills of toner and media to help you get more high-quality jobs out the door quickly and efficiently.

### Value beyond the printed page

Customers expect more than beautifully printed pages—they also want a wide selection of output options from which to choose. The imageRUNNER ADVANCE C9000S PRO Series systems offer a rich media catalog, ranging from coated and uncoated papers to tabs and specialty papers to envelopes. Add easy-to-use inline finishing modules for punching, folding, stapling, and trimming and you have the versatility that will keep customers coming back again and again.

### Responsibility

Print professionals and their customers increasingly want to do business in environmentally responsible ways. They're looking for production systems that have a smaller carbon footprint, consume less energy and produce less waste. Built for a long, productive life, the imageRUNNER ADVANCE C9000S PRO Series models feature low noise levels and low carbon emissions, which help contribute to a positive working environment. Both models are ENERGY STAR and RoHS qualified too.

### More of everything

Now, light production environments can enjoy the powerful functionality previously reserved for large production facilities—all within a design that saves space and energy. With Canon's imageRUNNER ADVANCE C9000 PRO Series systems, you'll have the resources to advance your business now and in the future.

#### Responsibility

- > Constructed of fire-retardant bio-plastic and recycled plastics
- > ENERGY STAR® and RoHS qualified
- > Low energy consumption and CO<sub>2</sub> levels
- > Low noise levels
- > Reduced CO<sub>2</sub> emissions in manufacturing process

\*Optional

# ADVANCED PRODUCTIVITY



JOB SCHEDULER AND OPERATOR ATTENTION LIGHT\*

9,300-SHEET CAPACITY

Accelerate turnaround time to meet tight deadlines.  
Realize extraordinary productivity and increased profitability.

### Beat the clock

Customers have come to expect rapid turnarounds and same-day delivery—with no compromise in quality. The imageRUNNER ADVANCE C9000S PRO Series systems let you plan production to fit tight windows and deliver more jobs faster. When the optional Operator Attention Light glows green, your projects are continuously moving, helping you to meet—and even exceed—customer expectations.

### Unstoppable productivity

The longer your systems are running, the more jobs you can produce. That's why the imageRUNNER ADVANCE C9000S PRO Series systems are designed to minimize downtime and maximize productivity. Print speeds of up to 75 black-and-white pages and 70 color pages per minute (letter),\*\* day-in and day-out reliability, and fast, easy serviceability give you the uptime needed to meet critical deadlines and demanding service agreements.

The input trays hold up to 9,300 sheets of paper, and both media and toner can be replenished on the fly, so long jobs can run without interruption. The Multi-drawer Paper Deck and POD Deck Lite are air-assisted to help ensure that the largest sheets—up to 13" x 19-1/4"—flow smoothly and without misfeeds. And the output trays hold up to 4,250 sheets to help reduce the need for constant unloading of printed pages.

### Streamlining production

The powerful Océ PRISMAsync operation management features an intelligent Job Scheduler that enables up to eight hours of plan-ahead production in an efficient, media-driven workflow. The optional Operator Attention Light signals upcoming operator interventions—such as needed media refills—several minutes before action is required, thereby allowing time to help prevent a halt in production. The combina-

tion of maximum control of your print operation with minimized risk for errors and delays lets you handle demanding production schedules without worry.

### Maintaining control

Simple, intuitive operation helps make your staff more efficient while lowering costs and eliminating waste and errors. The Océ PRISMAsync operation management accelerates throughput and gives you the production power needed to take on more jobs, turn them around faster, and help increase profitability. For the first time, you have the control to extract unnecessary costs from production while simultaneously growing volumes and increasing revenue.

\* Operator Attention Light optional.

\*\* The imageRUNNER ADVANCE C9065S PRO prints up to 65/60 ppm (BW/Color; Letter).

# ADVANCED VERSATILITY



WIDE RANGE OF STOCK



PROFESSIONAL FINISHING

More opportunities for professional finished output.  
Grow your capabilities, customer satisfaction—and revenue.

### Opportunities to do more

With customers seeking one-stop shopping for all their printing and finishing, print shops have the opportunity to increase business by offering beautifully finished materials on a wide array of media options. The advanced paper handling and versatile finishing capabilities of the imageRUNNER ADVANCE C9000S PRO Series systems enable easy, cost-effective production of everything from sell sheets to marketing collateral to saddle-stitched booklets. This is the versatility you need to satisfy customers' demands while expanding your service offerings and entering new markets with confidence.

### The right paper for the job

The more substrates your system can handle, the better you can satisfy customer needs. The imageRUNNER ADVANCE C9000S PRO systems deliver high-quality output on a wide range of coated, matte, or specialty stocks on weights ranging from 14 lb. Bond to 110 lb. Cover and sheet

sizes from 5-1/2" x 7-1/8" to 13" x 19-1/4", as well as tabs and envelopes. Since the media-driven workflow lets you access a centralized media catalog, media can be precisely defined for each job, so you always print on the right paper with the right settings. The result is a happy customer who keeps coming back.

### A professional finish

A full line of in-line finishing options provides the tools you need to meet a host of customer needs without the costly overhead of off-line systems and skilled labor. Modules provide five different types of folds, multiposition stapling of up to 100 sheets, automatic two- and three-hole punching, professional punching with varied punch patterns, preprinted media insertion for covers or page inserts, and saddle-stitching with face-trimming of up to 20-sheet/80-page booklets. Additional finishing units can be easily added as your needs change, providing investment protection while you expand your capabilities.

### All-in-one functionality

Customers come to you for more than printing. They need copies and, more and more, they want hard-copy originals scanned for electronic distribution and inclusion into new documents. The imageRUNNER ADVANCE C9000S PRO Series systems offer standard scanning and copying features that can help make your operation the one-stop-shop for customers' document production needs.

### Grow and succeed

Integrating Océ PRISMAsync operation management into your business gives you the speed and reliability needed to get jobs to market faster. This helps make you more valuable to your customers while providing them with a one-stop service center that keeps them coming back for more. Whether your business is an in-plant facility or a stand-alone commercial shop, your customers are demanding, and the Canon imageRUNNER ADVANCE C9000S PRO Series systems can help open the door to growth and a world of profitable new business possibilities.

Quality, productivity, versatility, and intuitive operation.  
Do more with less. Advance your business with these finishing options.

### Paper Folding Unit

- Z-fold, C-fold, Half-fold, and Accordion Z-fold

### Document Insertion Unit

- Insert preprinted sheets
- Up to 13" x 19-1/4"
- Two trays
- 400-sheet total capacity

### Finishing Options



Staple Finishing



2- and 3-hole Punching



Z-fold



C-fold



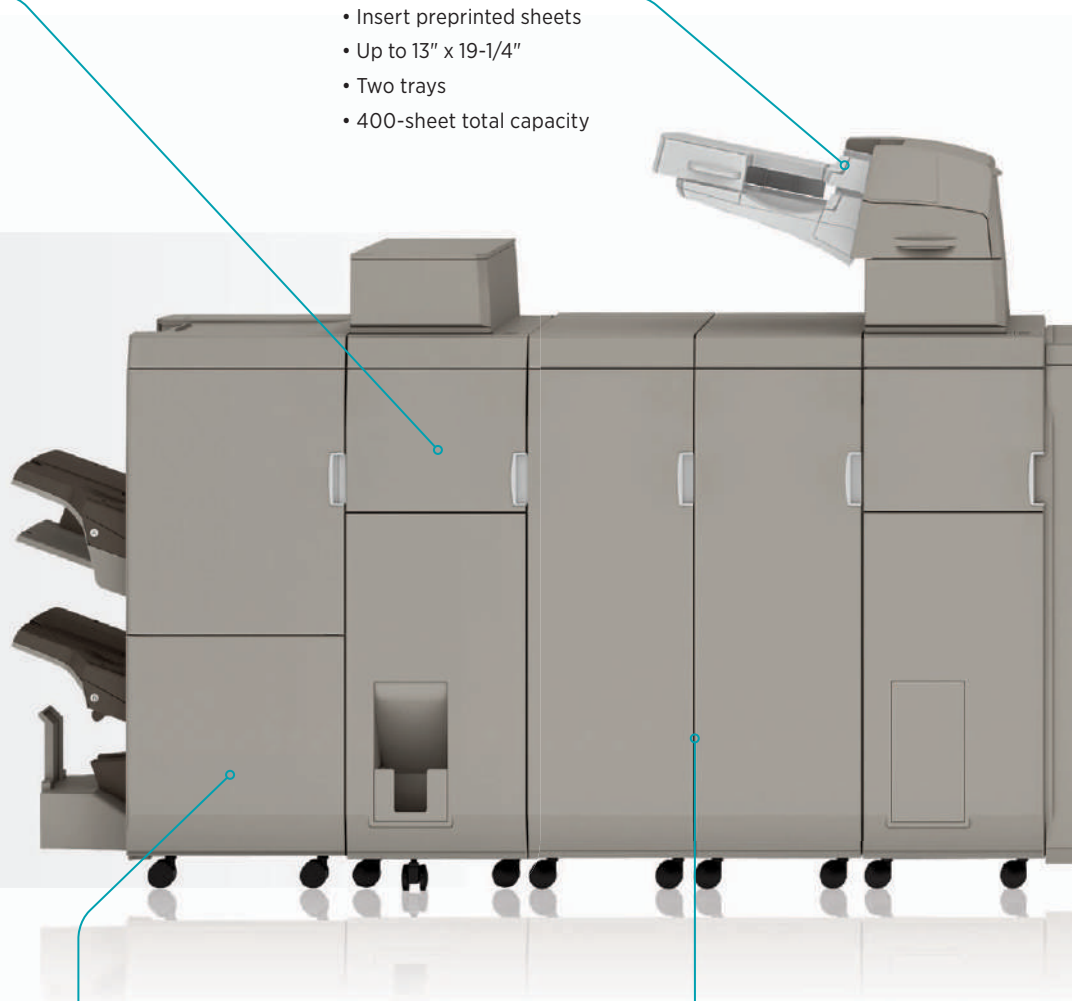
Half-fold



Accordion Z-fold



Double Parallel Fold



### Stapler Finisher



- 3-tray, 4,250-sheet output capacity
- 100-sheet, multi-position stapling
- Up to 100 lb. Cover, coated, heavy, plain, and tabs

### Booklet Finisher

- 3-tray, 4,250-sheet capacity
- 100-sheet, multiposition stapling
- Up to 100 lb. Cover, plain, heavy, coated, and tabs
- 20-sheet saddle-stitching up to 13" x 19-1/4"
- V-fold up to 5 sheets without staple

### Internal Booklet Trimmer

- Face trim

### Internal Puncher Unit

- 2- and 3-hole punch

### Professional Puncher

- Includes Integration Unit
- Up to 80 lb. Cover
- Letter-sized only, tabs
- Supports various die sets
- 25,000-sheet capacity
- Finish punched output

### Single-Pass Duplex Document Feeder

- 300-sheet capacity
- Duplex scan speed of up to 45 ipm (BW, Color) at 600 dpi

### Operator Attention Light

- Visible from a distance
- Displays status of device; alerts operator to upcoming media and consumable refills, etc.

### USB Media

- Scan to, or print from, USB memory media

### Océ PRISMAsync User Interface

- PRISMAsync user interface for job management
- 15" full-color touch-screen operator panel
- Tilt-and-swivel adjustment capability

### Multi-drawer Paper Deck

- 3-drawer, 6,000-sheet total capacity (20 lb. Bond)
- 13" x 19-1/4" maximum paper size
- 14 lb. Bond to 110 lb. Cover, plain, heavy, coated, and tabs

### Paper Deck Unit



- 3,500-sheet capacity (20 lb. Bond)
- 8.5" x 11" maximum paper size
- 14 lb. Bond to 80 lb. Cover, plain only

### POD Deck Lite



- 3,500-sheet capacity (20 lb. Bond)
- 13" x 19" maximum paper size
- 14 lb. Bond to 110 lb. Cover, plain, heavy, and coated

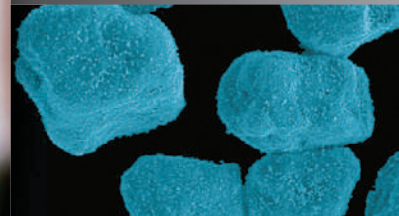
### Standard Paper Capacity

- 3,400-sheet total standard paper capacity:
- 2 x 1,100-sheet paper drawers (Letter)
  - 2 x 550-sheet paper cassettes (13" x 19-1/4")
  - 1 x 100-sheet multipurpose tray

# ADVANCED IMAGE QUALITY



PROFESSIONAL QUALITY COLOR



OIL-FREE pQ TONER

Amazingly sharp, rich, vibrant images.  
Advanced technologies for ideal color quality.

### Lots of innovation

Canon's noted expertise in color imaging and its ongoing commitment to R&D have resulted in a range of advanced technologies that deliver outstanding image quality time after time. Here are a few that make the imageRUNNER ADVANCE C9000S PRO Series systems stand out.

### Exceptional image quality

These systems deliver stunning image quality with astonishing speed. True 1200 x 1200 dpi print resolution produces crisp text with smooth corners, while subtle gradient transitions give images remarkable clarity. Precise, small diameter, eight-beam red lasers produce high-quality images with smooth shading and accurate registration.

### Flexible color control

With more and more customers expecting jobs with professional color quality, delivering accurate color is critical to your operation. The imageRUNNER ADVANCE C9000S PRO Series systems make this simple, so that even inexperienced operators can easily produce jobs of professional quality. Intelligent color management uses color presets and an integrated media catalog to help ensure accuracy. Operators can also define pre-set color templates, including profiles, spot color functions, and halftone settings. During print runs, Real-Time Calibration makes automatic, real-time adjustments while Auto Gradation Adjustment ensures that densities and halftones are adjusted to their ideal level.

### pQ Toner

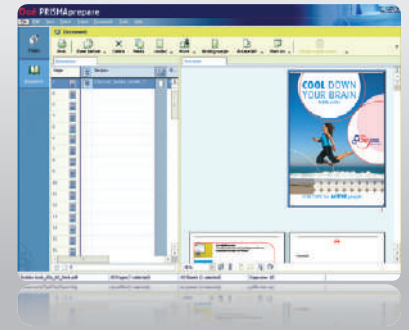
Canon's oil-free pQ toner uses small particles containing micro-dispersed wax so the toner fixes evenly and lies flat. The result is sharp, vivid, dense images with a broad color gamut, improved gloss levels, and a smooth finish.

### Precise registration

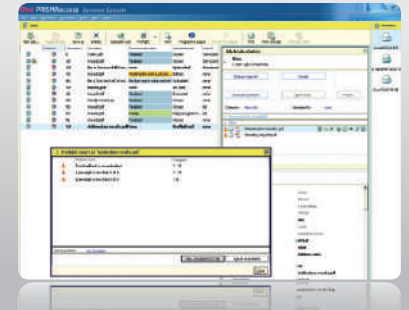
Accurate registration is achieved with impressive precision in the imageRUNNER ADVANCE C9000S PRO Series systems. The cassette design ensures that every page enters the printer at the same location, and manual adjustment features offer front-to-back registration that's precisely matched on every paper type to within one millimeter. Such intuitive registration adjustment offers expanded control over the alignment of text and images, thereby helping to avoid misalignment and delivering professional results.



# ADVANCED WORKFLOW



OCÉ PRISMA® prepare: COMPLETE DOCUMENT PREPARATION



OCÉ PRISMA® access: ELECTRONIC JOB SUBMISSION

Technology that keeps all systems up and running.  
Streamlined processes for more efficient operations.

### Intuitive and efficient

A smooth workflow is the key to increasing revenue. With Océ PRISMAsync operation management, a single, integrated, and task-based workflow makes it easy to manage complex black-and-white and color jobs. When document specialists focus on preparation and operators concentrate on production, your staff is more efficient, training costs are reduced, and your productivity soars.

### Plan-ahead performance

A unique user interface with intelligent job Scheduler displays every queued job and an overview of work scheduled for

the day. Work can be planned for entire shifts, enabling up to eight hours of plan-ahead production. The job Scheduler shows the precise time needed for each job based on media type, set and run length, finishing requirements, and automatic quality assurance procedures. A glance at a control monitor tells operators where and how much media is loaded and which finishing units are installed and in use, minimizing downtime and changeovers between jobs. The optional Operator Attention Light displays the status of the printer, even from a distance, so the press operator quickly knows that production is moving smoothly.

### Automated and integrated

Océ PRISMAsync lets you automate production of recurring jobs with print driver templates, color presets, and hot folders. It integrates seamlessly with other Océ PRISMA workflow software, including Océ PRISMAprepare for WYSIWYG document preparation and Océ PRISMAaccess for internal/intranet/Web-based job submission. Together, these workflow softwares help keep productivity flowing from job submission, design, and composition through to production and delivery. They streamline time-consuming tasks to accelerate the production process while helping to minimize errors, delays, and downtime. The result is intuitive operation that makes the most of people, processes, and possibilities.

# ADVANCED RESPONSIBILITY



ENERGY STAR QUALIFIED

BIO-PLASTIC AND RECYCLED MATERIALS

## Solutions that propel your business while reducing Canon's environmental footprint—and yours.

### Reduction of CO<sub>2</sub>

Canon has lowered CO<sub>2</sub> emissions over previous models by focusing on each stage of the product life cycle, including manufacturing, energy use, and logistics. These products are designed to be more compact, with less packaging to make transportation more efficient.

### Greater energy efficiency

From the inside out, the imageRUNNER ADVANCE C9000 PRO Series models are designed for high energy efficiency and stellar performance. The combination of Canon's fusing technologies and pQ toner helps reduce overall energy consumption by minimizing heat and power requirements. The Series' duplex color image reader captures superb-quality images while using less energy than ever. With advanced technologies present in these models, each is also ENERGY STAR qualified.

### A greener way to work

A visionary company, Canon knows that the world and the workplace need a greener workflow. The imageRUNNER ADVANCE C9000S PRO Series systems let light production environments share and distribute digital documents across the globe. Being able to proof and preview files prior to printing allows changes to be made before committing toner to paper, avoiding print errors. And the media catalog helps prevent unnecessary misprints and waste by ensuring that jobs always print with the right settings on the right paper. Moreover, the support of large and custom-size papers helps reduce waste through paper-saving, multiple-up printing.

### Eco-conscious design

Canon is making a difference through creative ecological thinking. Whenever possible, certain components on the imageRUNNER ADVANCE C9000S PRO Series models are built using plant-derived bio-plastic or 100% recycled plastic from retired products.

### Reducing pollution

All suppliers are required to meet Canon's stringent Green Procurement policy and environmental terms. As a result of this effort among its partners, Canon continues to exceed the toughest global standards set by the EU RoHS Directive, which requires the restriction of six specified hazardous substances.

### MAIN UNIT

**Operator Panel:** PRISMAsync 15" LCD

**Standard Configuration:** imageRUNNER ADVANCE C9075S PRO/C9065S PRO Main Unit, Duplex Color Image Reader Unit-A1, PRISMAsync iR-ADV C9000S PRO, Operator Panel, Scanning-B1, Scheduler-A1, Multiple Queues/Hot Folders-A1, E-shredding-B1, X-Rite Eye-One Spectrophotometer

**Memory**

Standard/Maximum: 2.5GB RAM

**Hard Disk Drive**

Standard: 80GB  
Maximum: 1TB

**Network Interface Connection**

Standard: Ethernet (10Base-T/100Base-TX/1000Base-T)

**Other Interface**

Standard: USB (at Operator Panel)

**Copy/Print Speed (BW/Color)**

	<b>C9075S</b>	<b>C9065S</b>
Letter:	Up to 75/70 ppm	Up to 65/65 ppm

**Paper Sources (20 lb. Bond)**

Standard: Dual 1,100-sheet Paper Drawers  
Dual 550-sheet Cassettes  
100-sheet Stack Bypass

Maximum: 9,300 Sheets (with Multi-Drawer Paper Deck option)\*

**Output Paper Capacity (20 lb. Bond)**

With Copy Tray: 250 Sheets  
With Staple or Booklet Finisher: 4,250 Sheets

**Output Paper Sizes**

Drawers: Letter

Cassettes: 13" x 19", 12" x 18", 11" x 17", Legal, Letter, Letter-R, Executive, Statement-R, Custom Size [5-1/2" x 7-1/8" to 13" x 19-1/4" (140mm x 182mm to 330mm x 488mm)]

Bypass: 13" x 19", 12" x 18", 11" x 17", Legal, Letter, Letter-R, Executive, Statement-R, Custom Size [4" x 5-7/8" to 13" x 19-1/4" (100mm x 148mm to 330mm x 488mm)]

**Acceptable Paper Weights**

Drawers/Cassettes: 14 lb. Bond to 80 lb. Cover (52 to 220g/m<sup>2</sup>)

Bypass: 14 lb. Bond to 110 lb. Cover (52 to 300g/m<sup>2</sup>)

**Special Media Support**

Drawers: Transparency

Cassettes: Transparency, Tab

Bypass: Transparency, Tracing, Labels, Coated, Textured, Envelopes

**Warm-up Time**

	<b>C9075S</b>	<b>C9065S</b>
From Power On:	6 Minutes	5 Minutes
From Sleep Mode:	6 Minutes	5 Minutes
From Energy Saver Mode:	90 Seconds	90 Seconds

**Power Requirements/Plug**

Main Unit: 208V AC, 60Hz, 15A/NEMA 6-15P  
PRISMAsync: 120V AC, 60Hz, 10-5A/NEMA 5-15P

### Dimensions (H x W x D)

**Main Unit:** 55-1/10" x 44-1/10" x 36-3/4"\*\*\* (1400mm x 1120mm x 932mm)\*\*

55-1/10" x 50-1/5" x 36-3/4"\*\*\* (1400mm x 1275mm x 932mm)\*\*\*

**PRISMAsync:** 16-1/2" x 7-9/10 x 16-9/10" (420mm x 200mm x 430mm)

**Installation Space (W x D):** 50-1/5" x 57-1/10" (1275mm x 1450mm) (when Stack Bypass is extended, Operator Panel is in right-most position, and the Cassette is drawn)

**Weight**

Main Unit: Approx. 635 lb. (288kg)  
PRISMAsync: Approx. 35.3 lb. (16kg)  
Total: Approx. 670 lb. (304kg)

**Toner (Estimated Toner Yield @ 5% Coverage)**

Black: 72,000 Images  
Color (C, M, Y): 54,000 Images

### Image Reader Unit

**Scan Resolution:** Up to 600 x 600 dpi

**Acceptable Originals (Glass):** Sheet, Book, 3-Dimensional Objects (up to 4.4 lb.)

**Max. Original Size:** Up to 11" x 17"

### Document Feeder

**Scan Method:** Single-Pass Duplexing Automatic Document Feeder

**Acceptable Originals**

Paper Sizes: 11" x 17", Legal, Letter, Letter-R, Statement, or Statement-R

**Scan Speed (BW/Color; Letter)**

Copy/Scan Simplex: 45/45 ipm (600 dpi)  
Copy/Scan Duplex: 44/44 ipm (600 dpi)

**Paper Capacity (20 lb. Bond):** 300 Sheets

### Print Specifications

**First-Print-Out Time (Letter)**

BW: 8 Seconds  
Color: 8 Seconds

**Type:** External

**Processor:** Intel® Quad Core™ i7

**Operating System:** Windows® XPe® SP3

**Memory:** 4GB

**Hard Disk:** 3 x 3.5" SATA II, 250GB, 7200 RPM

**DVD-ROM:** Standard

**Interface Connections:** 10/100/1000Base-T, TCP/IP (LPR/LPD), 9100 Socket (SMB), Static IP/Auto-IP (DHCP)

**PDL Support:** Adobe® PS3 (3019), PDF 1.7, [Extension Level 3 (for Acrobat® 9)], PDF/X, Optimized PS, Optimized PDF

**Engine Resolution:** 1200 x 1200 dpi

**Print Driver Supported OS:** Windows Vista®, Windows 7 (32-bit and 64-bit), MAC® OS X10.4/10.5/10.6 (32-bit), PPD

### Scan Specifications

**Standard:** Scan-to-E-mail, Scan-to-FTP, Scan-to-USB

**Option:** Scan-to-PRISMAccess

**File Format:** (Single/Multipage) TIFF, JPEG, PDF

### Security Specifications

**Standard:** E-shredding, HTTPS, Password protection per user role (key operator, system administrator, service technician)

**Optional:** Removable HDD

### OPTIONAL ACCESSORIES

#### Paper Supply Options

**Paper Deck Unit-A1**

Paper Capacity: 3,500 Sheets [20 lb. Bond (80g/m<sup>2</sup>)]

Acceptable Paper Weight: 14 lb. Bond to 80 lb. Cover (52 to 220g/m<sup>2</sup>)

Acceptable Paper Type: Thin, Plain, Heavy, Color, Recycled, Pre-Punched

Acceptable Paper Size: Letter

Dimensions (H x W x D): 22-1/2" x 12-3/4" x 23" (570mm x 323mm x 583mm)

**POD Deck Lite-A1**

Paper Capacity: 3,500 Sheets [20 lb. Bond (80g/m<sup>2</sup>)]

Acceptable Paper Weight: 14 lb. Bond to 110 lb. Cover (52 to 300g/m<sup>2</sup>)

Acceptable Paper Type: Thin, Plain, Heavy, Color, Recycled, Pre-punched, Transparency, Labels, Bond, Letterhead, Coated, Textured

Acceptable Paper Size: 13" x 19", 12" x 18", 11" x 17", Legal, Letter, Letter-R

Dimensions (H x W x D): 22-1/2" x 23-5/8" x 24-1/2" (570mm x 601mm x 621mm)

**Multi-Drawer Paper Deck-A1**

Paper Capacity: 6,000 Sheets [20 lb. Bond (80g/m<sup>2</sup>)]

No. of Drawers: 3 (2,000 Sheets each)

Acceptable Paper Weight: 14 lb. Bond to 110 lb. Cover (52 to 300g/m<sup>2</sup>)

Acceptable Paper Type: Thin, Plain, Heavy, Color, Recycled, Pre-Punched, Transparency, Labels, Tab, Bond, Letterhead, Coated, Textured

Acceptable Paper Size: 13" x 19", 12" x 18", 11" x 17", Legal, Letter, Letter-R, Executive, Custom Size [5-1/2" x 7-1/8" to 13" x 19-1/4" (140mm x 182mm to 330mm x 488mm)]

Dimensions (H x W x D): 41" x 37-3/8" x 31-3/8" (1040mm x 950mm x 797mm)

#### Output Options

**Copy Tray-P1**

Total Output Capacity: 250 Sheets (20 lb. Bond)

Acceptable Paper Weight: 14 lb. Bond to 110 lb. Cover (52 to 300g/m<sup>2</sup>)

Acceptable Paper Size: 13" x 19", 12" x 18", 11" x 17", Legal, Letter, Letter-R, Executive, Statement-R, Custom Size [4" x 5-7/8" to 13" x 19-1/4" (100mm x 148mm to 330mm x 488mm)]

Dimensions (H x W x D): 6-7/8" x 16-1/2" x 15" (175mm x 420mm x 382mm) (when Auxiliary Tray is extended)

## OPTIONAL ACCESSORIES (continued)

### Output Options (continued)

#### Staple Finisher-A1/Booklet Finisher-A1

Number of Trays:	3
Total Output Capacity:	4,250 Sheets (Letter, Statement-R, Executive)
Tray A:	1,500 Sheets (Letter, Statement-R, Executive) 750 Sheets (13" x 19", 12" x 18", 11" x 17", Legal, Letter-R)
Tray B:	250 Sheets (Letter) 125 Sheets (13" x 19", 12" x 18", 11" x 17", Legal, Letter-R, Executive)
Tray C:	2,500 Sheets (Letter) 1,250 Sheets (Statement-R, Executive) 750 Sheets (13" x 19", 12" x 18", 11" x 17", Legal, Letter-R)
Acceptable Paper Weight:	14 lb. Bond to 110 lb. Cover (52 to 300g/m <sup>2</sup> )
Acceptable Paper Type:	Thin, Plain, Heavy, Color, Recycled, Pre-Punched, Transparency, Tracing, Labels, Tab, Bond, Letterhead, Coated, Textured, Envelopes
Acceptable Paper Size:	13" x 19", 12" x 18", 11" x 17", Legal, Letter, Letter-R, Executive, Statement-R, Custom Size [(4" x 5-7/8" to 13" x 19-1/4") (100mm x 148mm to 330mm x 488mm)]
Staple Positions	
Corner/Double Stapling:	11" x 17", Legal, Letter, Letter-R, Executive
Saddle-Stitch:	13" x 19", 12" x 18", 11" x 17", Legal, Letter-R
Max. Stapling Capacity:	100 Sheets [20 lb. Bond (80g/m <sup>2</sup> ) (Letter, Executive)]
Max. Saddle-Stitch Capacity:	20 Sheets [including one cover page 110 lb. Bond (300g/m <sup>2</sup> ) [20 lb. Bond (80g/m <sup>2</sup> ) (11" x 17", Legal, Letter-R)]
Dimensions (H x W x D):	Staple Finisher-A1: 41" x 25-3/4" (30-3/4"**) x 30-1/8" [1040mm x 654mm (782mm**) x 765mm] Booklet Finisher-A1: 41" x 30-1/4" (35-1/4"**) x 30-1/8" [1040mm x 767mm (896mm**) x 765mm]

#### Puncher Unit-BF1\*\*

Acceptable Punch Paper Weight:	14 lb. Bond to 140 lb. Index (52 to 256g/m <sup>2</sup> )
Acceptable Punch Paper Type:	Thin, Plain, Heavy, Color, Recycled, Tab, Bond, Letterhead, Coated, Textured
Acceptable Punch Paper Size:	11" x 17", Legal, Letter, Letter-R
Punch Type:	2 Holes (Legal, Letter-R) 3 Holes (11" x 17", Letter)

#### Inner Booklet Trimmer-A1\*

Trim Thickness:	40 Sheets (2mm to 20mm Trimming Width)
Waste Tray Capacity:	1,500 Sheets of Trimmed Strips [Width 0.78" (20mm), Letter, 20 lb. Bond (80g/m <sup>2</sup> )]
Acceptable Paper Weight:	16 lb. Bond to 110 lb. Cover (60 to 300g/m <sup>2</sup> )
Acceptable Paper Type:	Thin, Plain, Heavy, Recycled, Color, Coated
Output Tray Capacity:	30 Booklets

#### Professional Puncher-C1/

#### Professional Puncher Integration Unit-B1\*

Acceptable Punch Paper Weight:	
Letter (3-hole, 5-hole, Velo Bind 11-hole, Plastic Comb 19-hole, Twin Loop 21-hole/32-hole, Color Coil 44-hole):	20 lb. Bond to 80 lb. Cover (75 to 216g/m <sup>2</sup> )
Letter (ProClick 32-hole):	20 lb. Bond to 65 lb. Cover (75 to 176g/m <sup>2</sup> )
Acceptable Punch Paper Type:	Plain, Heavy, Color, Recycled, Tab, Coated
Acceptable Punch Paper Size:	Letter
Punch Pattern Die Sets (optional):	Plastic Comb (19-hole) Twin Loop (21/32-hole) Color Coil (44-hole) Velo Bind (11-hole) Loose Leaf (3/5-hole) ProClick (32-hole)
Dimensions (H x W x D)	
Professional Puncher-C1:	41" x 12" x 31-1/4" (1040mm x 305mm x 792mm)
Professional Puncher Integration Unit-B1:	41" x 9-7/8" x 31-1/4" (1040mm x 250mm x 792mm)

#### Document Insertion Unit-H1\*

Number of Trays:	2
Tray Capacity	
Upper:	200 Sheets [20 lb. Bond (80g/m <sup>2</sup> )]
Lower:	200 Sheets [20 lb. Bond (80g/m <sup>2</sup> )]
Acceptable Paper Weight:	14 lb. Bond to 110 lb. Cover (52 to 300g/m <sup>2</sup> )
Acceptable Paper Type:	Thin, Plain, Heavy, Color, Recycled, Pre-punched, Tab, Bond, Letterhead, Coated, Textured
Acceptable Paper Sizes:	13" x 19", 12" x 18", 11" x 17", Legal, Letter, Letter-R, Executive, Custom Size [7-1/8" x 7-1/8" to 13" x 19-1/4" (140mm x 182mm to 330mm x 488mm)]
Dimensions (H x W x D):	55-3/8" x 13-1/4" x 31-1/4" (1407mm x 336mm x 793mm) 55-3/8" x 29-3/8" x 31-1/4" (1407mm x 746mm x 793mm) (with Insertion Feeding Tray)

#### Paper Folding Unit-G1\*

Folding Type:	Z-Fold, Accordion Z-Fold, C-Fold, Half-Fold, Double Parallel Fold
Acceptable Paper Weight:	14 lb. Bond to 28 lb. Bond (52 to 105g/m <sup>2</sup> )
Acceptable Paper Type:	Thin, Plain, Color, Recycled, Bond
Acceptable Paper Sizes	
Accordion Z-Fold, C-Fold, Half-Fold:	Letter-R
Z-Fold:	11" x 17", Legal, Letter-R
Double Parallel Fold:	Legal, Letter-R
Dimensions (H x W x D)	46-7/8" x 13-1/4" x 31-1/4" (1190mm x 336mm x 793mm)

## OTHER OPTIONAL ACCESSORIES

- Operator Attention Light
- Removable HDD Kit-AB1
- 3.5-inch/ITB HDD-B1
- Key Switch Unit-B1
- ADF Access Handle-A1
- Remote Viewer-B1
- Fontset Simplified Chinese-B1
- Fontset Traditional Chinese-B1
- Fontset Japanese-B1
- Fontset Korean-B1
- Océ PRISMAsync license accessories.
- Stack Bypass is not available when Multi-Drawer Paper Deck is installed.
- \*\* With Operator Panel in left-most position.
- \*\*\* With Operator Panel in right-most position.
- Includes ADF, consumables, Operator Panel.
- Option for Booklet Finisher-A1.
- †† When the Auxiliary Tray is extended.
- ††† Puncher Unit-BF1 installs internally with either Staple Finisher-A1 or Booklet Finisher-A1.
- Requires Staple Finisher-A1 or Booklet Finisher-A1.

**NOTE:** Some accessories require additional equipment or may be prerequisites for other options. Some accessories cannot be installed simultaneously. Check with your Canon Authorized Dealer for details.



1-800-OK-CANON  
www.usa.canon.com

Canon U.S.A., Inc.  
One Canon Plaza  
Lake Success, NY 11042

As an ENERGY STAR® Partner, Canon U.S.A., Inc. has determined that these products meet the ENERGY STAR® guidelines for energy efficiency. ENERGY STAR and the ENERGY STAR mark are registered U.S. marks. Océ is a registered trademark owned by Océ Technologies B.V. PANTONE® and other PANTONE®, LLC trademarks are the property of PANTONE®, LLC. CANON, IMAGERUNNER, and the GENUINE logo are registered trademarks of Canon Inc. in the United States and may also be registered trademarks or trademarks in other countries. IMAGEANYWARE is a trademark of Canon. All other referenced product names and marks are trademarks of their respective owners and are hereby acknowledged. Some items may not be available at this time; please check for availability. Specifications and availability subject to change without notice. ©2011 Canon U.S.A., Inc. All rights reserved.

Federal Law prohibits copying of certain documents. Violators may be subject to penalties. We suggest that you check with your own legal counsel. Canon U.S.A., Inc. and Canon Canada, Inc. intend to cooperate with Law Enforcement Agencies in connection with claims of unauthorized copying.



0156W634  
0911-C9075S/65S-20M-LMC

