



KONICA MINOLTA

# KM-1

- ✓ B2+ sheet-fed UV colour inkjet press
- ✓ Revolutionary digital inkjet colour printing





# THE FUTURE OF COLOUR INKJET PRODUCTION

**KM-1, Konica Minolta's innovative inkjet press, meets the latest production demands and is a true alternative for short-run offset printing. Incorporating patented UV inkjet technology, traditional offset cut sheet feeding and superior media handling of up to B2+ size, KM-1 can easily handle quality jobs on a wide range of substrates. As there is no need to use special digital stocks or expensive coatings, KM-1 is a highly attractive proposition. Utilising your standard offset substrates and linking KM-1 via a hybrid workflow approach maximises your productivity.**

## ▀ Versatile print applications

Imagine this revolutionary digital inkjet press on your production floor:

- Print up to 3,000 oversized sheets per hour.
- Produce a wide variety of new jobs such as heavy textured stock and folding packaging.
- Print both profitably and in fully personalised fashion for your customer.
- Take advantage of larger sheet sizes for 3-panel and 4-panel brochures, pocket folders, posters, point-of-purchase graphics, dust jackets, wrap-around book covers, and more.

Expand your print offerings with the KM-1.

## ▀ Unparalleled media handling

- Enhance your media flexibility with KM-1, which processes sizes of up to 585 x 750 mm B2+.

- Produce an extensive selection of commercial print and packaging applications with a sheet thickness of up to 0.6 mm in simplex and 0.45 mm in duplex printing.
- Print on a wider range of offset coated and uncoated substrates, and even textured papers – eliminating the need for special substrate qualities or special treatment before or after printing.
- Send small-lot, short-turnaround jobs immediately after printing to the next production step – no hassle any longer thanks to our instantly drying UV ink.

## ▀ Top productivity

- KM-1 can produce up to 3,000 sheets per hour in simplex or 1,500 sheets per hour in duplex mode – with jobs easily managed via hybrid production workflow. There is no need for plates so jobs can be added to the print queue easily via the web, hotfolder or existing workflows.

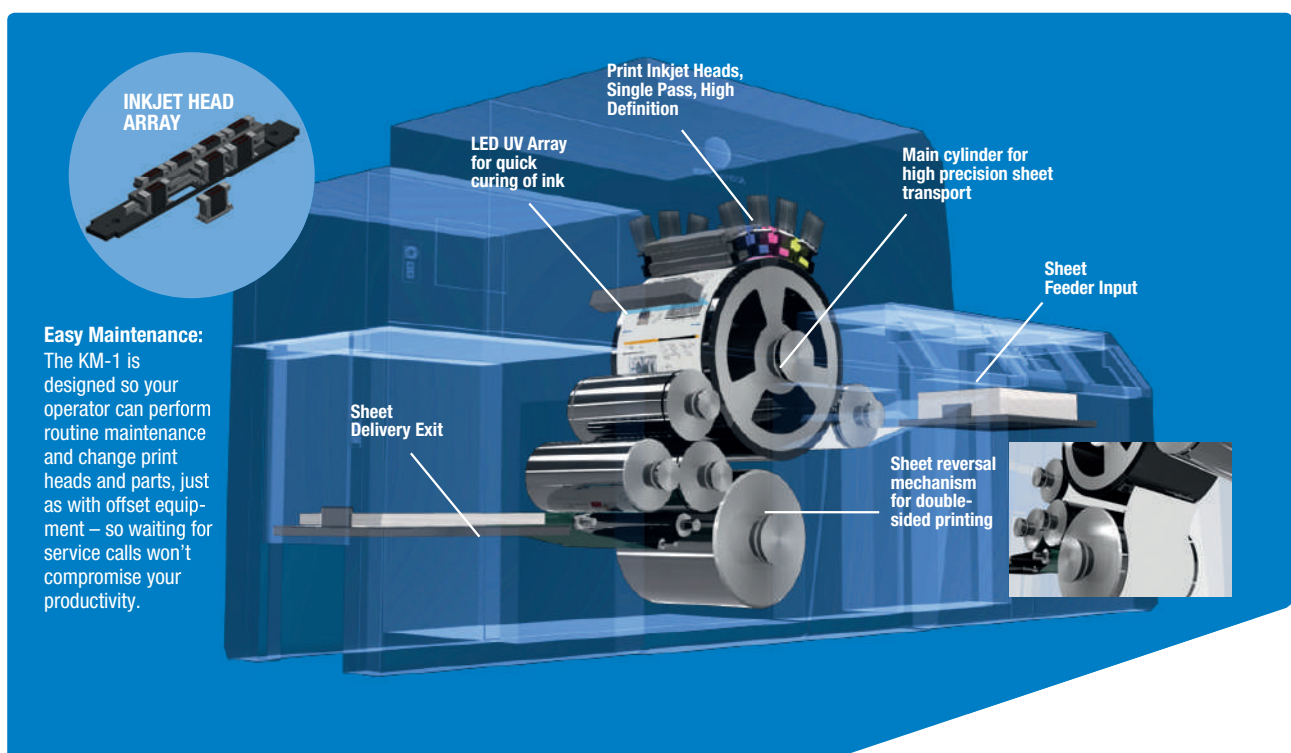
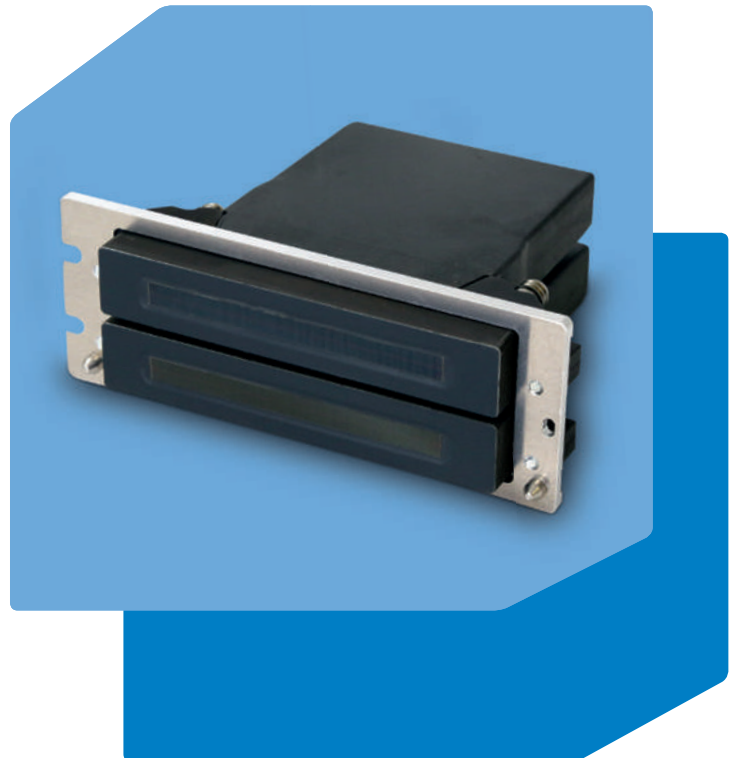
## ▀ Outstanding image quality

- Rely on Konica Minolta's original print head design and patented UV ink technology for outstanding inkjet results.
- Benefit from image quality, a wide colour gamut and quality that matches offset.
- All this is achieved with the unique Konica Minolta high-resolution print heads, 1800IS, which deliver true 1,200 x 1,200 dpi resolution.
- Our very own UV ink provides excellent light fastness and scratch resistance! No more complaints from your customers because promotion pieces show signs of rub off when mailed by post.

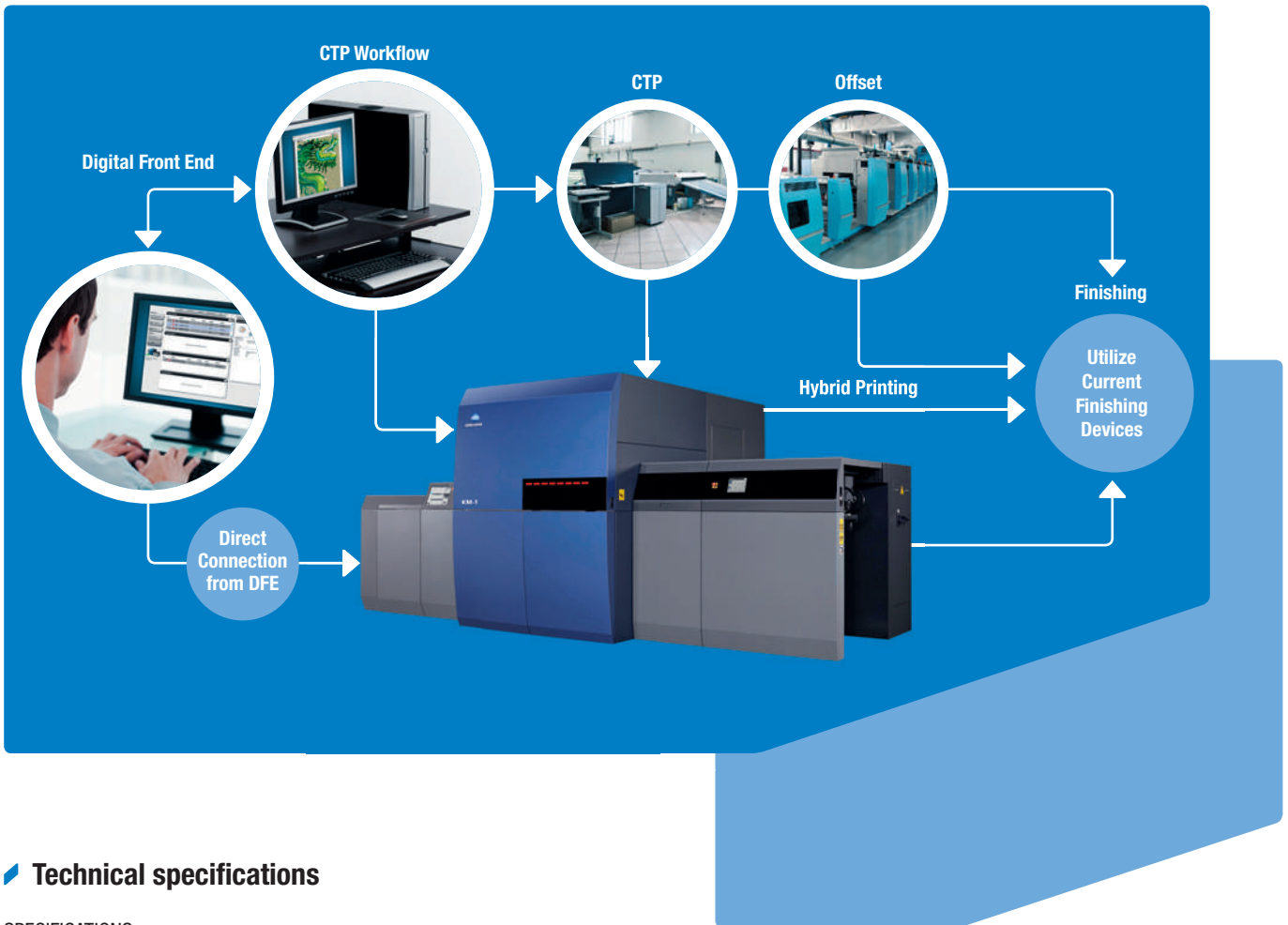
## ▀ Superior image stability

- With KM-1, you gain absolute consistency in paper feeding, registration, image quality and repeatability. Job after job, day after day.
- This unparalleled stability is ensured by outstanding front-to-back registration accuracy, enabled by a gripper-to-gripper technology.

**The Konica Minolta KM-1 not only gives you compact design, spectacular performance and great specs – it also incorporates the value-added features your business demands: Wider media versatility; consistent, high-quality colour; and superior stability to keep work flowing. Not to forget a reliability that you can count on, with simpler routine maintenance to increase your productivity, improve your throughput, and ultimately better your margins.**



**KM-1 hybrid production printing**



**Technical specifications**

**SPECIFICATIONS**

<b>Type</b>	B2+ sheetfed UV inkjet press
<b>Resolution</b>	1,200 x 1,200 dpi
<b>Ink</b>	UV Ink
<b>Number of colours</b>	4
<b>Printing speeds</b>	3,000 sph (single-sided) 1,500 sph (double-sided)
<b>Sheet size</b>	Up to 585 x 750 mm
<b>Sheet thickness</b>	0.06 – 0.6 mm (single-sided) 0.06 – 0.45 mm (double-sided)
<b>Dimensions</b>	5,400 (W) x 3,000 (D) x 2,400 (H) mm
<b>Machine weight</b>	Approx. 9000 kg

- Inkjet UV ink developed by Konica Minolta for High-definition, Single-pass applications.
- The support and availability of the listed specifications and functionalities varies depending on operating systems, applications and network protocols as well as network and system configurations.
- Specifications are based on the information available at the time of printing and are subject to change without notice.
- Konica Minolta does not warrant that any prices or specifications mentioned will be error-free.
- The specifications noted above are subject to change without notice.
- All brand and product names may be registered trademarks or trademarks of their respective holders and are hereby acknowledged.