



KONICA MINOLTA

**I WANT TO
INNOVATE &
EXPAND MY
BUSINESS
WITH DIGITAL
PRINTING**



**PRODUCTION
PRINTING**

THE FUTURE LOOKS BRIGHT WITH DIGITAL PRINTING

Konica Minolta successfully entered the production printing market in 2004 and has become one of the leading industry vendors. Today, Konica Minolta is recognised for creating inspiring long-term partnerships with its customers.

As a service provider for the production printing industry, Konica Minolta offers you integrated workflows and applications as well as professional and sophisticated hardware products to enable your business. Konica Minolta's business-building concept, Digital1234, encourages print businesses to find and focus on new opportunities to save money, improve productivity, add new services, and increase profits. By adopting Konica Minolta's business-enabling opportunities, you can drive your business in numerous ways:

- Benefit from print automation enablers – include suitable print automation and book publishing applications as well as professional inline finishing equipment.
- Take advantage of Konica Minolta's hardware enablers, including digital technology, wide-format printing, and overall maximised productivity.
- Make use of professional VDP 1:1 communication with variable data and transpromotional printing solutions as well as cross media communication.
- Look at web-to-print enablers and consider diversification with web printing and photo merchandising.
- Do not bypass output control enablers by integrating viable colour management, make-ready and output management applications.

Konica Minolta's aim is to help you achieve a good return on investment. Konica Minolta provides support and business tools to help you explore new markets by focusing on print and Web technologies that will enable your business today.



1234

DIGITAL1111
enabling your business





KONICA MINOLTA

AccurioPress 6136/6136P/6120

- ✓ B/W SRA3+ digital press
- ✓ Up to 7,940 A4 pages per hour

In the fast-growing, digital high-volume print market, in-house printers and graphic communications providers have to focus on building up their business by producing a wider range of high-volume jobs more efficiently. For that, they need the best performance available in the market: The AccurioPress 6136 series comprises three models, the fastest of which provides a maximum speed of 7,940 A4 pages per hour. Latest technologies guarantee maximum uptime and outstanding black and white print quality. The superior product outline impresses with a comprehensive range of inline finishing options.



AccurioPress
6136/6136P/6120

B/W PRODUCTION PRINTING SYSTEM

YOUR ADVANTAGES WITH AccurioPress 6136/6136P/6120

DURABLE PERFORMANCE

AccurioPress 6136/6136P

- Up to 136 A4 pages per minute
- Up to 74 SRA3 pages per minute
- Up to 7,940 A4 pages per hour
- Up to 4,274 SRA3 pages per hour

AccurioPress 6120

- Up to 120 A4 pages per minute
- Up to 66 SRA3 pages per minute
- Up to 7,034 A4 pages per hour
- Up to 3,846 SRA3 pages per hour

HIGHEST RELIABILITY

- Long-life platform, long-lasting parts and consumables
- Optimum registration results via ICCU
- Belt transfer system
- For prints with maximum efficiency
- For lucrative short-run printing

READY-MADE PRINT PRODUCTS

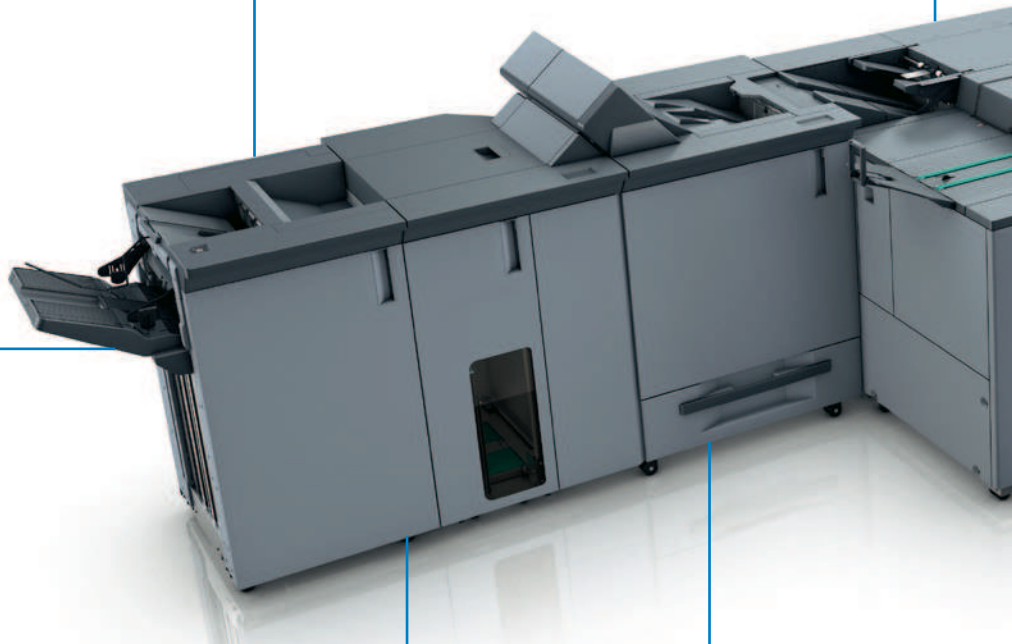
- 50-sheet booklet making with front trimming and optional creasing, slitting and spine corner forming
- 102-sheet auto ring binding
- Perfect binding for books of up to 30 mm
- 100-sheet stapling with cutting mechanism
- For highest automation and enormous productivity
- For more profit in the printroom

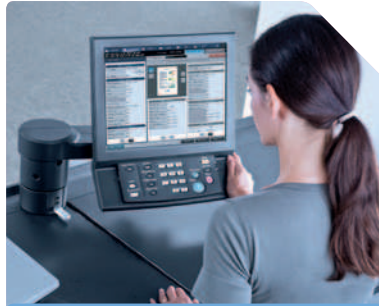
GEARED-UP FINISHING

- Multi (GBC) punching and 2- & 4-hole punching
- 6 different types of folding
- Interface for 3rd parties
- Large stacking
- Minimised human interaction
- For optimised budgets

3RD PARTY FINISHING:

- Watkiss PowerSquare™ 224 KR for square back booklet binding
- Plockmatic SD-500/SD-350 booklet maker with square fold
- GBC Punch G2 for heavy duty punching
- For higher flexibility
- For more sophisticated print products





HIGH-END PRINT CONTROL

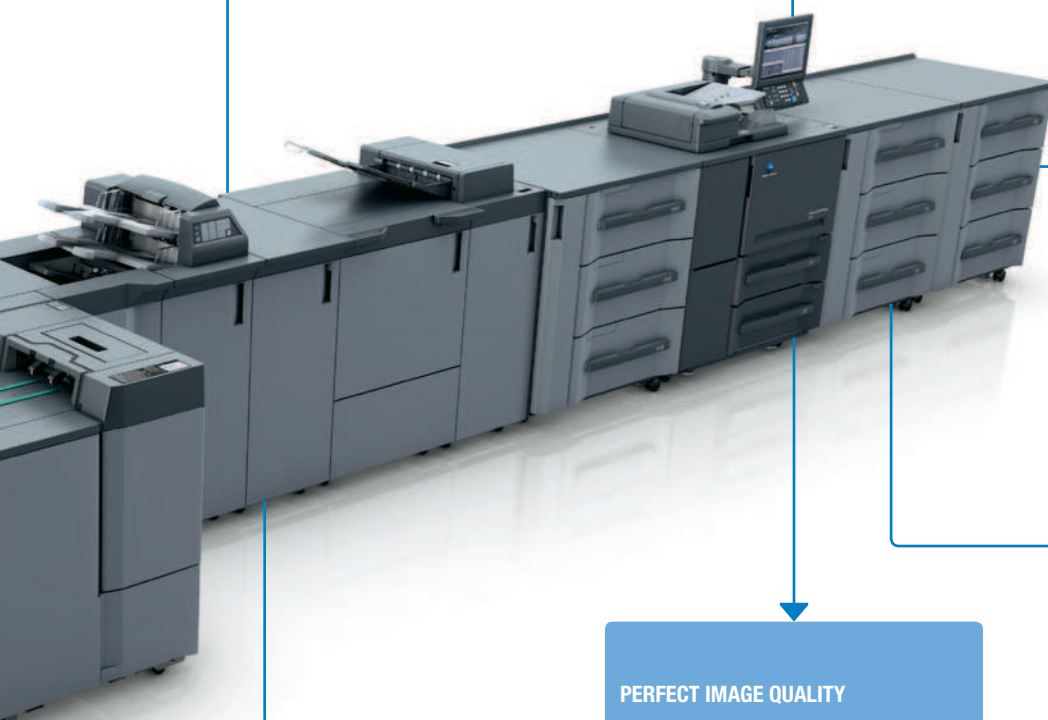
- Proprietary Konica Minolta controller
- For intuitive operation
- Saves time and money

EASE OF USE

- Simple paper catalogue settings
- Easy-to-follow on-screen instructions
- Operator Replaceable Unit Management (ORUM)
- For maximum ease of operation
- Frees operators for more important jobs

SOPHISTICATED MEDIA HANDLING

- Air-suction or air-assist feeding technology
- Up to 18,000-sheet paper input capacity or 14,000-sheet paper input and 5,000-sheet post insertion
- Up to 11 paper input trays
- For enhanced overall productivity
- For extreme cost savings



COMPREHENSIVE MEDIA PROCESSING

- Up to 350 gsm paper weight in simplex & 300 gsm duplex printing
- Skew Detection System to prevent paper skew
- Professional feeding of coated media and envelopes
- Mechanical decurling as standard
- Optional inter-cooler curl eliminator
- For highly flexible print products
- Stands out from the competition

ENVIRONMENTAL AWARENESS

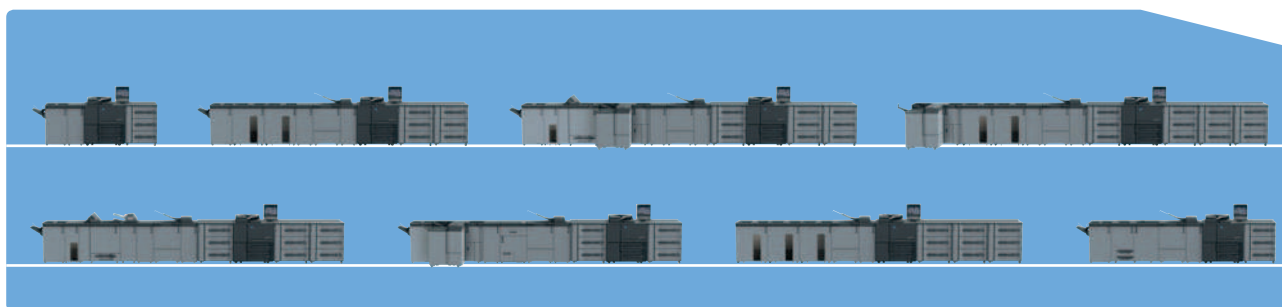
- Green procurement policy
- ISO 14001-certified
- For reduced environmental impact
- Carbon Neutral Printing via "Enabling Carbon Neutrality Program" available

PERFECT IMAGE QUALITY

- 1,200 x 1,200 dpi resolution
- Tone Curve Utility
- Simitri® HD toner technology
- Image density control technology
- For new print applications
- For growing your business

Simitri HD
High Definition Polymerised Toner

Recommended configurations



Technical specifications

SYSTEM SPECIFICATIONS

Resolution	1,200 x 1,200 dpi
Paper weight	40–350 gsm
Duplex unit	Non-stack type; 40–300 gsm
Paper sizes	Min.: 95 x 139 mm Max.: 324 x 483 mm (with PF-710)
Maximum image area	314 x 483 mm (with PF-710)
Paper input capacity	Standard: 3,000 sheets Max.: 18,000 sheets
Paper output capacity	Max.: 15,000 sheets (plus sub trays)
Main unit dimensions (W x D x H)	990 x 910 x 1,454 mm
Main unit weight	396 kg

PRODUCTIVITY

AccurioPress 6136/P

A4 - max. per minute	136 ppm
A3 - max. per minute	78 ppm
SRA3 - max. per minute	74 ppm
A4 - max. per hour	7,940 pph
A3 - max. per hour	4,526 pph
SRA3 - max. per hour	4,274 pph

AccurioPress 6120

A4 - max. per minute	120 ppm
A3 - max. per minute	70 ppm
SRA3 - max. per minute	66 ppm
A4 - max. per hour	7,034 pph
A3 - max. per hour	4,072 pph
SRA3 - max. per hour	3,846 pph

CONTROLLER

Embedded Konica Minolta Controller

SCANNER SPECIFICATIONS*

Scan speed A4	Up to 240 ppm
Scan resolution	600 x 600 dpi
Scan modes	TWAIN scan; Scan-to-HDD; Scan-to-FTP; Scan-to-SMB; Scan-to-eMail
Scan formats	TIFF; PDF; Encrypted PDF; XPS; CompactPDF; JPEG

COPIER SPECIFICATIONS*

Gradations	256 gradations
FCOT	Less than 2.6 sec. (A4 LEF)
Magnification	25–400%, in 0,1% steps
Multiple copies	1–9,999

ACCESSORIES

Integrated Color Care unit	IQ-501
Air assist paper feed unit	PF-709
Pre-printed paper feed kit for PF-706	PP-701
Air suction paper feed unit	PF-710
Heating unit for PF-710	HT-506
Post Insertion unit	PI-PFU
Relay unit	RU-518
Humidification unit	HM-103
Multi (GBC) punching unit	GP-501
Relay unit	RU-510
Auto ring binding unit	GP-502
Folding and punching unit	FD-503
Stacking unit	LS-506
Booklet making unit	SD-506
Booklet making unit	SD-513
Creasing unit for SD-513	CR-101
Slitting unit for SD-513	TU-503
Spine corner forming unit for SD-513	FD-504
Perfect binding unit	PB-503
Stapling unit	FS-532
Saddle stitch kit for FS-532	SD-510
Punch kit for FS-532	PK-522
Post inserter for FS-532	PI-502
Open Stacker	OT-510
Envelop fuser	EF-105
Mount kit for 3rd party	MK-737
Removable HDD Kit	RH-101 & HD-511
Watkiss PowerSquare™ 224KR	
Plockmatic	SD-500/SD-350
GBC Punch G2	

- All specifications refer to A4-size paper of 80 gsm quality.
- The support and availability of the listed specifications and functionalities varies depending on operating systems, applications and network protocols as well as network and system configurations.
- The stated life expectancy of each consumable is based on specific operating conditions such as page coverage for a particular page size (5% coverage of A4).
- The actual life of each consumable will vary depending on use and other printing variables including page coverage, page size, media type, continuous or intermittent printing, ambient temperature and humidity.
- Some of the product illustrations contain optional accessories.
- Specifications and accessories are based on the information available at the time of printing and are subject to change without notice.
- Konica Minolta does not warrant that any prices or specifications mentioned will be error-free.
- All brand and product names may be registered trademarks or trademarks of their respective holders and are hereby acknowledged.

ENABLE YOUR BUSINESS WITH PRINT AUTOMATION

Print Automation

“Gain time for more important things.”

With suitable print automation software, you optimise internal production routines, achieve greater staff efficiency, and thus enhance your production capacity. This ultimately enables you to produce more with less, without compromising on your high quality standards. The easy integration of digital devices into existing offset workflows through the print controller provides you with a new kind of print automation.

Inline Finishing

“Put tailor-made print products at your fingertips.”

As a print provider, you are always expected to do more with less! Inline finishing provides a great opportunity to reduce lead time and costs without compromising on quality and service. Printers who do not invest will pay the price by falling behind those that have invested in inline finishing, because it provides such a significant operational advantage. Never forget: time is money!

Book Publishing

“Open your eyes to new business.”

The printing landscape has changed, and flexible print providers can benefit from this development by producing a range of bound documents including books, calendars, magazines, and photo albums. InfoTrends expects the book-printing market to grow by 16.7% over their seven-year forecast period, which means that the print volume from book publishing will come to almost 54 billion pages by 2016. In other words, on-demand book publishing is a new business field that is well worth looking into!* With Konica Minolta you have an even stronger argument due to automated production.

* Source: InfoTrends

Advantages

- Enhance production flexibility, efficiency and competitiveness
- Benefit from less human involvement through automated job handling
- Take full advantage of the benefits of digital printing
- Meet the continually increasing demand for short-run printing
- Enjoy ease of use, features, reliability and seamless integration

